



Data Sheet

CR4250 Series Router



The Cradlepoint CR4250 Branch Performance Router is designed for mid-sized branches and businesses with expanded performance and connectivity needs. It intelligently manages WAN connectivity for a highly available “connected experience” at the edge. With the CR4250 router’s high-performance processor, available 8-port PoE, and dual SFP+ ports, the CR4250 offers flexible WAN deployment for medium-sized branch offices and businesses. When combined with a Cradlepoint LTE or 5G adapter, the CR4250 solution offers single-pane-of-glass management for the entire branch site.

Notable Features

- High-performance processor to easily handle branch workloads while providing advanced features
- PoE+ Gigabit Ethernet ports and 2 SFP+ ports supporting up to 10 Gbps
- Cloud management for router and optional Cradlepoint LTE or 5G adapters
- Application-aware traffic analytics, firewall, and QoS
- Intelligent SD-WAN to ensure optimal application performance and uptime
- Unified edge security for secure Internet access and protection for on-site users and devices
- Advanced IoT support to securely connect branch IoT devices
- Pair with a Cradlepoint adapter in “captive modem mode” to provide virtual single-endpoint deployment, monitoring, and control

Performance

Stateful Firewall Throughput:	IPS Throughput:	Application Aware Services & Analytics:	IPsec VPN Throughput:	Concurrent VPN Tunnels:	Concurrent Sessions (TCP):	Typical Client Count:
2.1 Gbps	1.0 Gbps	1.0 Gbps	800 Mbps	400[†]	1,000,000	300

Performance testing was conducted based off requirements as defined in RFC2544 using a mix of 64, 256, and 1500 byte packet sizes. Throughput is shown as bi-directional TCP traffic with less than a 1% packet loss using four wired clients.

Throughput testing is conducted through a single IPsec VPN tunnel. Throughput speeds vary based upon the number of configured tunnels.

Results do not reflect performance of the cellular wireless operator networks.

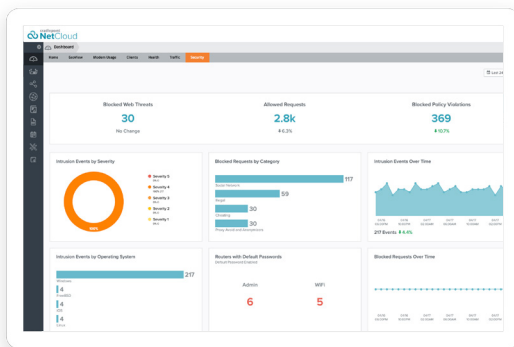
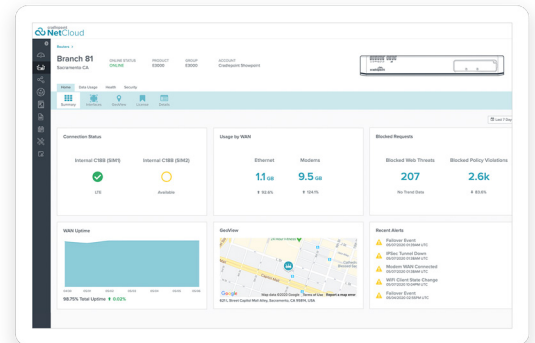
[†] Concurrent VPN tunnels values are 100 with an Essentials license and 400 with an Advanced license.

Key Software Capabilities

The NetCloud Service provides everything needed to unlock the power of LTE at the network edge and connect devices to critical applications and services. It enables customers to build and manage wireless WANs with complete lifecycle management, true zero-touch deployment, robust security, and foundational SD-WAN traffic management for optimal application performance and reliability. The service includes a warranty for as long as an active subscription on the router, online training, live and online support, and all software and firmware updates.

Router Services

Next generation hardware provides local processing power to handle demanding router-delivered services, such as support for VPN tunneling encryption that includes DMVPN, IPsec, GRE, and other tunneling technologies.

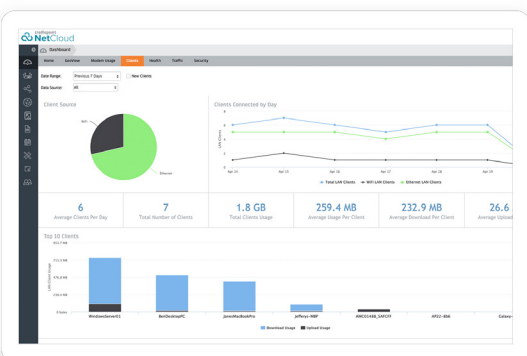
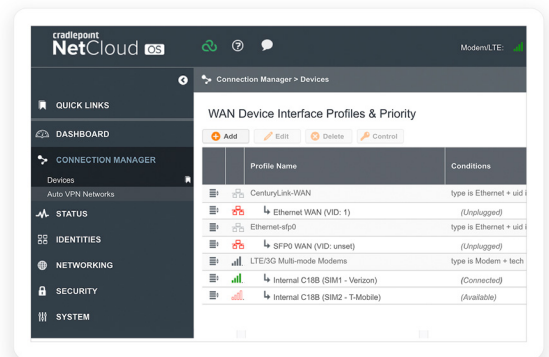


Security Services

NetCloud Service includes security features and options to optimize the CR4250 router to meet the evolving security needs of distributed environments. The service includes stateful zone-based firewall enhancement capability to Application Aware Traffic Steering with the Advanced package.

Connection Manager

Connection Manager provides the ability to manage all WAN connections types, both wireless and wired, from a single software-defined policy. Our custom-built modem software ensures users establish Wireless WAN connectivity faster while maintaining the highest level of resiliency.



Cloud Services

NetCloud Manager delivers true zero-touch deployment with the ability to define and deliver policy across entire groups of endpoints. Users can create a cloud-orchestrated hub and spoke VPN network and gain insights and analytics required for rapid troubleshooting and diagnostic workflows.

Hardware Specifications

The following features are delivered through the hardware.

INTERFACES

Processor: x86 4-core CPU @2.2 GHz with Intel Quick Assist Technology

Memory: 8 GB DDR4 ECC; 16 GB eMMC Flash

Ethernet: 8 x 10/100/1000 Ethernet ports (LAN/WAN switchable)
2 x SFP/SFP+ (LAN/WAN switchable)

Wi-Fi: N/A

GNSS/GPS: N/A

ENVIRONMENTAL

Temperature: 0 °C to 40 °C (32 °F to 104 °F) operating
-20 °C to 60 °C (-4 °F to 140 °F) storage

Humidity: 10% to 90% operating
5% to 95% storage

PHYSICAL

Size: 335 x 210 x 45 mm (13.2 x 8.3 x 1.8 in)

Weight: 1.9 kg (4 lb 4 oz)

CERTIFICATIONS

Safety: UL/cUL, CB Scheme

Materials: RoHS

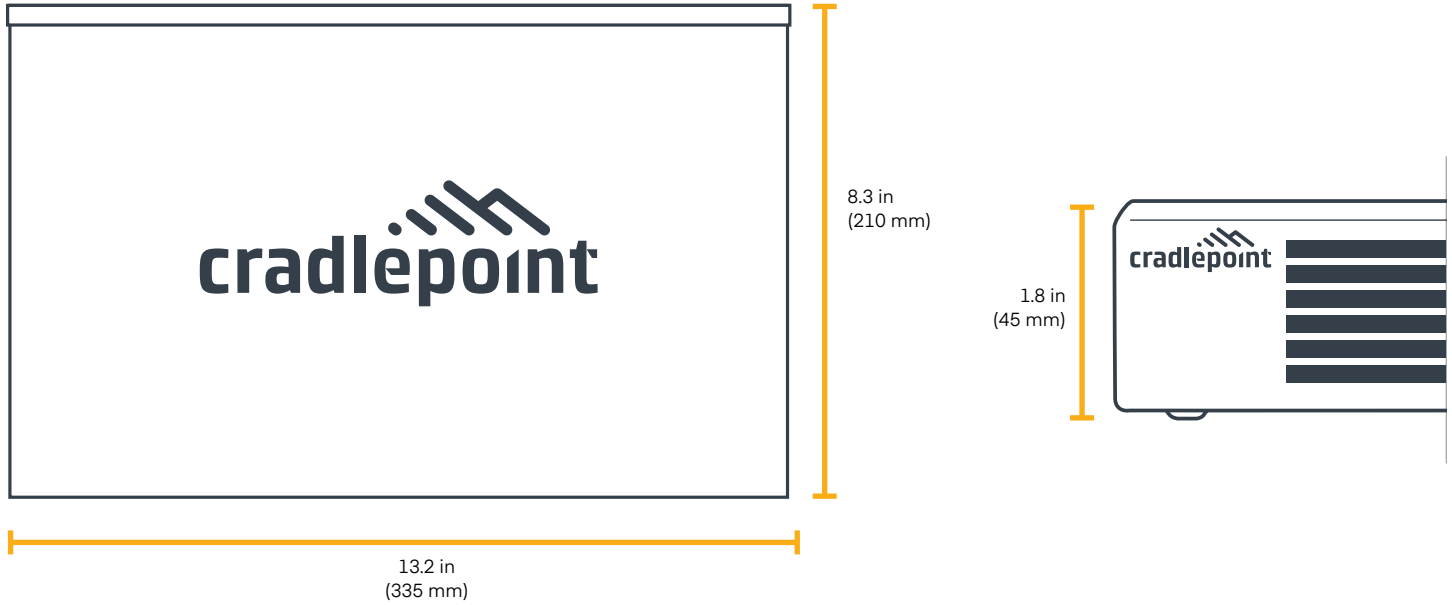
Regulatory: FCC (U.S.), IC (Canada), CE, RCM (AU/NZ), ICASA (ZA)

LEDs

Refer to the [CR4250 High-Performance Branch Router Quick Start Guide](#).

Hardware

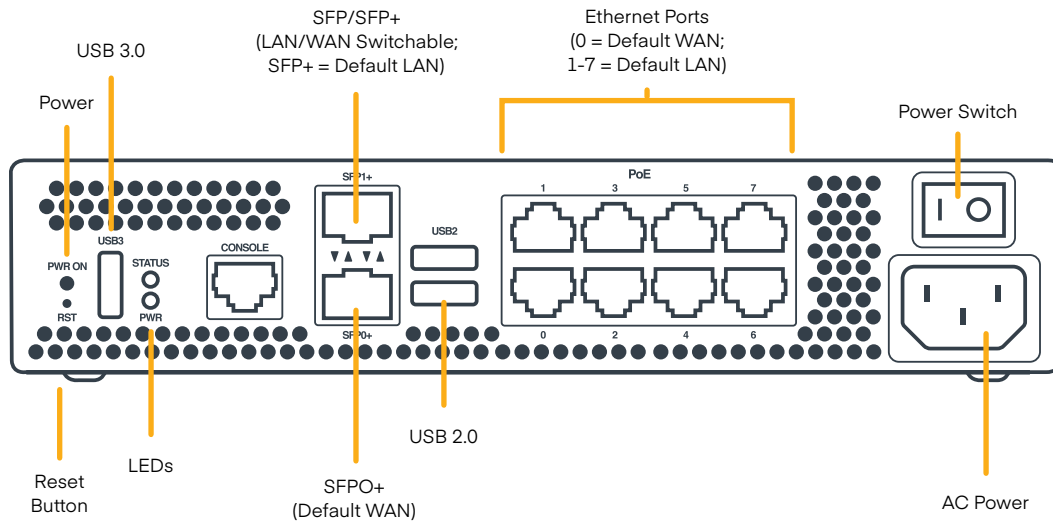
Physical Measurements



Front View



Rear View



Ordering Guide

NetCloud Branch Performance Essentials packages and plans are full featured for performance and connectivity. Essentials and Advanced packages include 24x7 support (phone support: 24 hour weekdays with emergency response on weekends, web: 24x7, chat: 24x5) and a limited lifetime warranty.

See additional details of what is included in the Essentials NetCloud software: cradlepoint.com/netcloud-service

For more details on the CR4250 Branch Performance Router, included with Essentials packages, see below.

NetCloud Package & Plans

REGION	DESCRIPTION	PART NUMBER
North America: U.S. & Canada	NetCloud Branch Performance Essentials Plan and CR4250 router with POE, North America	BDx-425P-00N
	NetCloud Branch Performance Essentials Plan, Advanced Plan, CR4250 router with POE, and 1200 Mbps Captive Modem, North America	BDAx-425P120B-0N
	Renewal NetCloud Branch Performance Essentials Plan and Advanced Plan	BDAx-NCEA-R
International: Australia, European Union, New Zealand, South Africa, Singapore & United Kingdom	NetCloud Branch Performance Essentials Plan and CR4250 router with POE, Europe	BFAx-3000C18B-GE
	NetCloud Branch Performance Essentials Plan and CR4250 router with POE, United Kingdom	BF0x-3000C18B-GE
	NetCloud Branch Performance Essentials Plan and CR4250 router with POE, APAC	BFAx-30005GB-GE
All Regions:	NetCloud Branch Performance Advanced Plan (requires corresponding Essentials Plan)	BDx-NCADV
	Renewal NetCloud Branch Performance Essentials Plan	BDx-NCESS-R
	Renewal NetCloud Branch Performance Advanced Plan (requires corresponding Essentials Plan)	BDx-NCADV-R

x = 1, 3, or 5 years

Accessories

INCLUDED	PART NUMBER
Rubber feet for desk mounting (Qty 4)	N/A
OPTIONAL	PART NUMBER
PoE Injector, 56 V (with C13 NA line cord)	170827-001
One of the following:	
— C13 Line Cord, 125 V, 1.8 meters, North America (Type B)	170671-001
— C13 Line Cord, 125 V, 1.8 meters, Europe (Type F)	170671-002
— C13 Line Cord, 250 V, 1.8 meters, UK (Type G)	170671-003
— C13 Line Cord, 250 V, 1.8 meters, AU (Type I)	170671-004
Rack Mount Kit	170764-000
LTE Captive Modem Accessory, Indoor, CBA550-150M-D (150 Mbps modem), Americas [†]	170900-001
LTE Captive Modem Accessory, Indoor, CBA850-1200M-B (1200 Mbps modem), Americas [†]	170900-003
LTE Captive Modem Accessory, Indoor, L950-C7A (300 Mbps modem), Americas [†]	170900-005
5G Captive Modem Accessory, Outdoor, W2005-5GB (4.1 Gbps modem), North America	170900-007
5G Captive Modem Accessory, Outdoor, High-Band, W4005-5GB (7.5 Gbps modem), North America	170900-011
5G Captive Modem Accessory, Indoor, W1850-5GB (4.1 Gbps modem), Americas	170900-012

[†]Refer to the [LTE Captive Modem Adapter Accessory](#) webpage for more information about captive modems.

Support & Warranty

The CR4250 Branch Performance Routers are only sold as components of NetCloud Branch Performance Essentials packages.

- NetCloud Packages include support for the full subscription term.
- All Cradlepoint hardware products are covered by a limited lifetime warranty for as long as they have a subscription license to an active NetCloud Service Plan.

Find the most up-to-date information at cradlepoint.com/cr4250